

CM1000R Parts List

Table of Contents

Cabinet

Control Box

Water System

Refrigeration

Remote Condenser

Wiring Diagrams

CM1000R PARTS ILLUSTRATIONS AND PARTS LISTS

GENERAL

This section contains the Parts Illustrations and the Parts List for each of the major assemblies in the CM1000R Modular Cuber.

A *No Number* designation, when used in the Part Number Column indicates the unit is not available from SCOTSMAN as an assembly. This designation is used only for the convenience and clarity of division in cataloging.

HOW TO ORDER PARTS OR ASSEMBLIES

When ordering parts or assemblies, to avoid costly delays and errors in shipment, give the part number, the complete description shown in the list, and the quantities of each part or assembly required. Also include the model name, the serial number of the icemaker for which the part is required and for parts which require color matching, the color of the cabinet.

All part numbers have TEN DIGITS (spaces), required for use in the Computer System. BE SURE to fill in ALL SPACES in the CATALOG NUMBER column, on the parts order form.

This section is provided as an aid in understanding the electrical circuitry of the CM1000 Modular Cuber.

The wiring diagram in this Section are:
CM1000RE-32A (208-230/60/1)

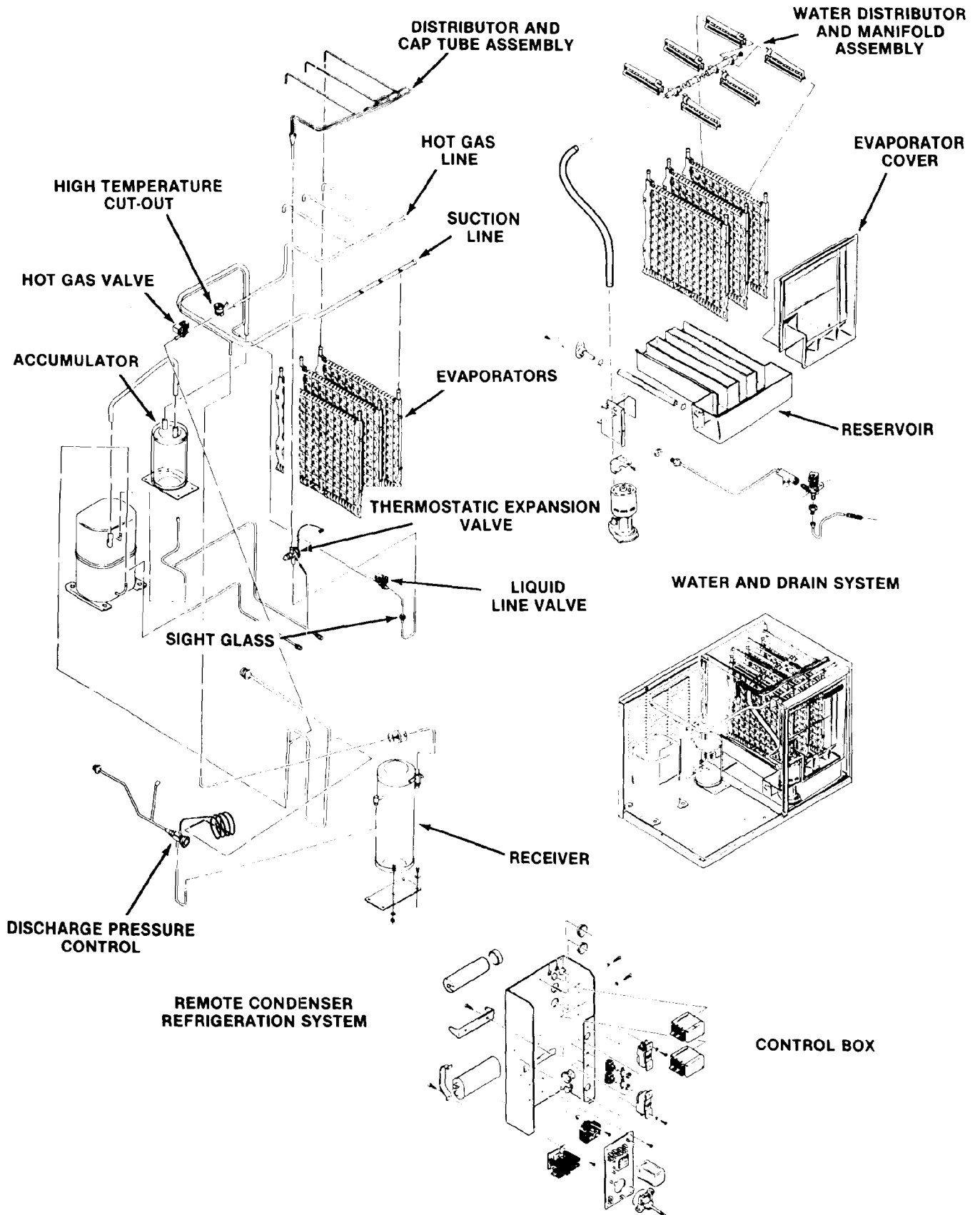
//////////////////// WARNING //////////////////////

When conducting a continuity check of the modular cuber:

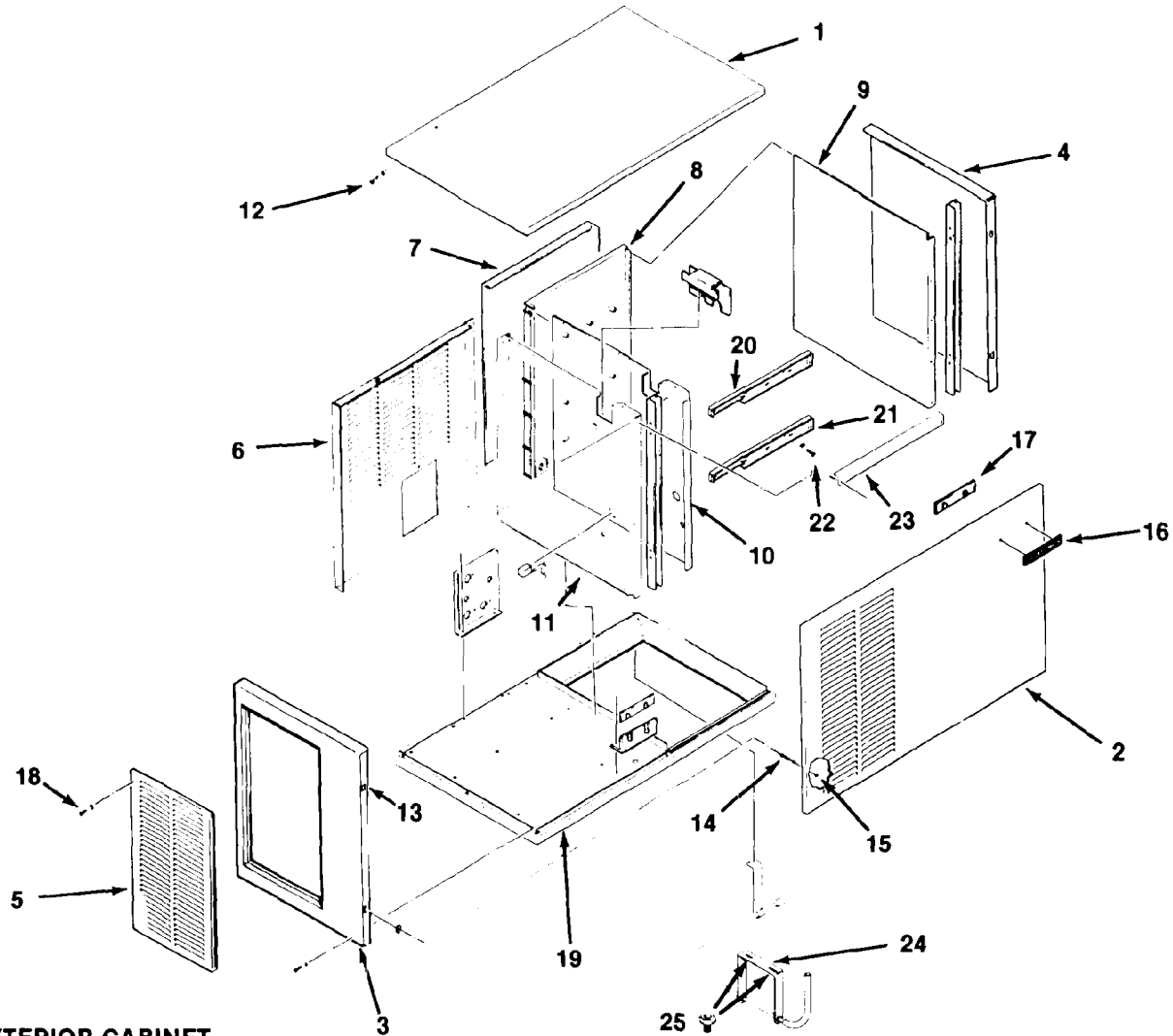
1. Disconnect the main power source.
2. DO NOT use an incandescent lamp or jumper wire, conduct all tests with a volt-ohm-meter.

////////////////////////////////////

CM1000R PARTS ILLUSTRATIONS AND PARTS LISTS



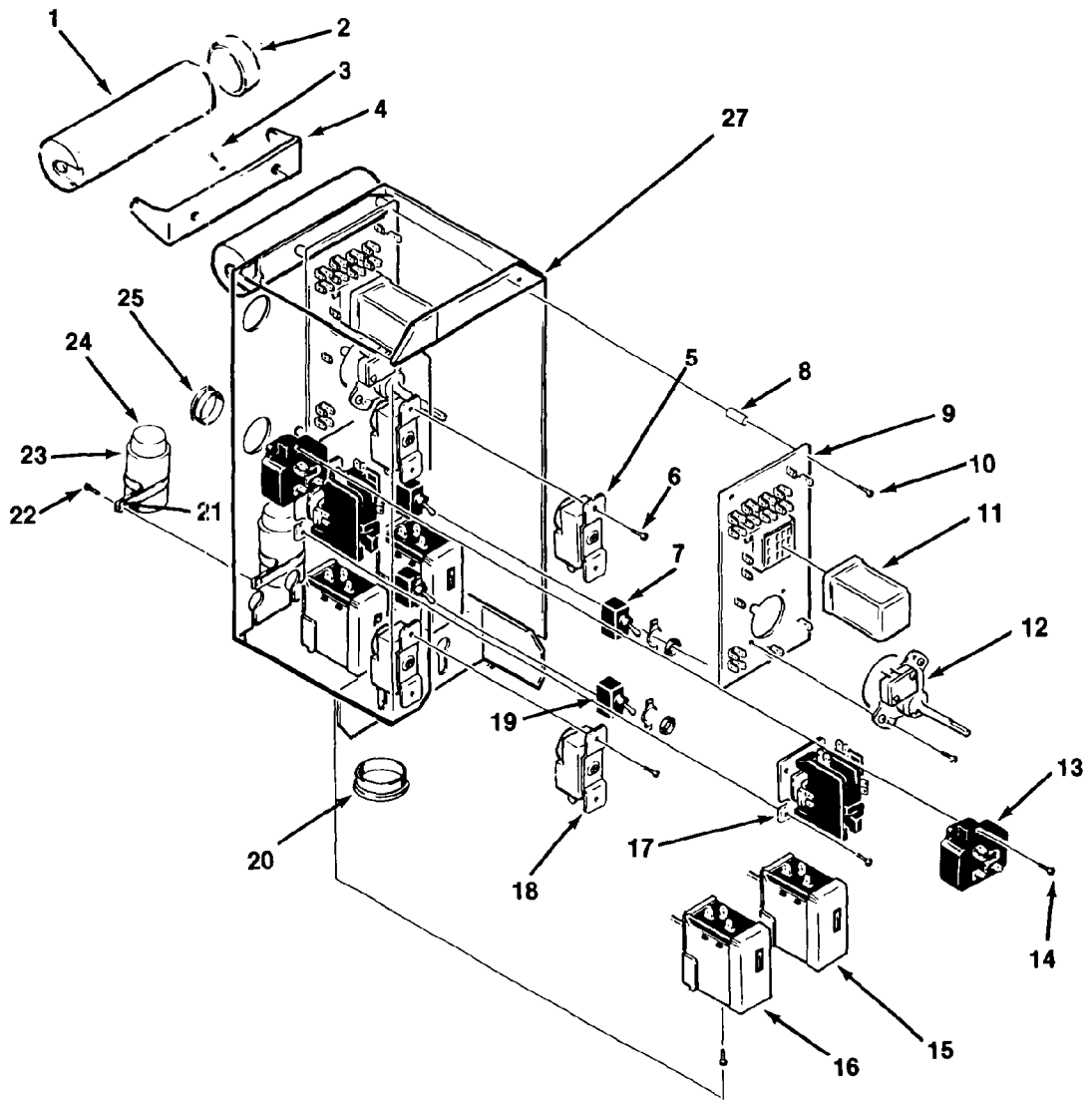
CM1000R PARTS ILLUSTRATIONS AND PARTS LISTS



**EXTERIOR CABINET
INTERIOR PANELS**

ITEM NUMBER	PART NUMBER	DESCRIPTION	ITEM NUMBER	PART NUMBER	DESCRIPTION
1	A32461-001	Top Panel Enamel	13	02-0836-00	Cabinet Catch
	A32461-002	Top Panel S.S.	14	15-0411-00	Strike - Ft. Panel
2	A32457-001	Front Panel Enamel	15	03-1406-04	Nut - Strike
	A32457-002	Front Panel S.S.	16	15-0711-01	Emblem
3	A32435-001	End Panel L. Enamel	17	03-0721-00	Speed Clip
	A32435-002	End Panel L. S.S.	18	03-1404-12	Screw
4	A32456-001	End Panel R. Enamel	19	A32434-001	Base
	A32456-002	End Panel R. S.S.	20	A32587-001	Upper Brace - Evaporator
5	A32161-001	Service Panel Enamel			
	A32161-002	Service Panel S.S.	21	A32467-001	Lower Brace - Evaporator
6	A32448-001	Back Panel L.			
7	A32452-001	Back Panel R.	22	A32464-001	Screw - Lower Brace
8	02-2888-01	Back Liner	23	A32469-001	Upper Brace - Cabinet
9	02-2887-01	Right Liner	24	A32511-001	Bin Thermostat Bracket
10	02-2885-01	Left Liner			
11	A32454-001	Retainer	25	03-0727-05	Bin Thermostat Thumb Nut
12	03-1404-01	Screw - Top Panel			

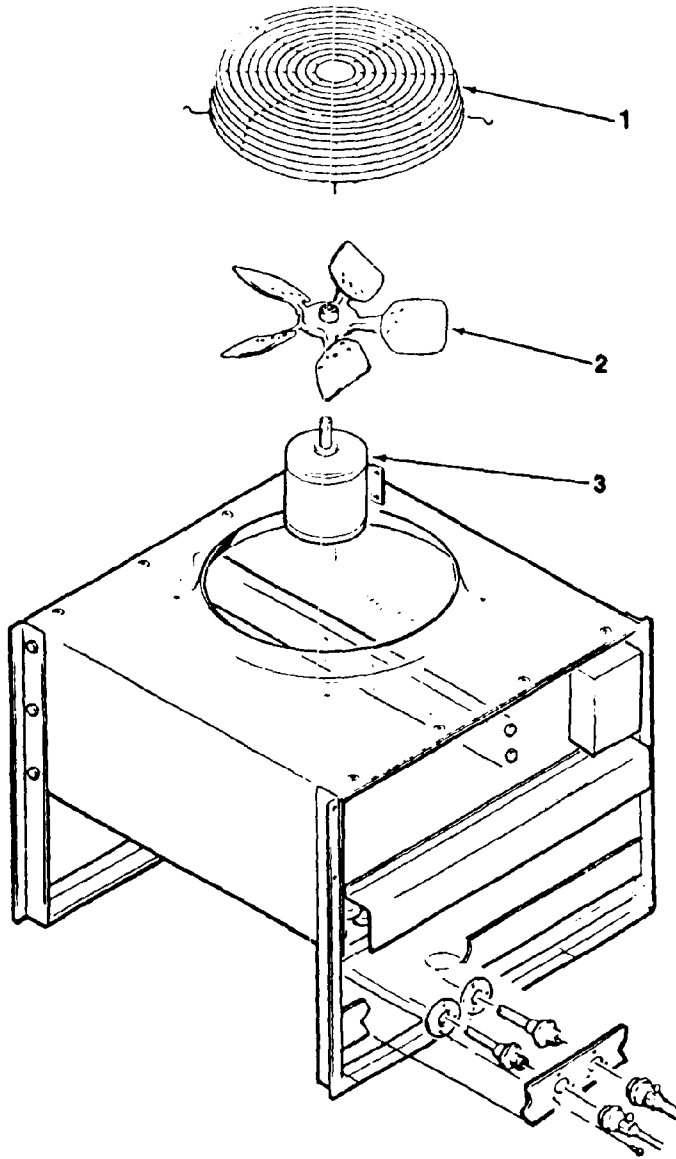
CM1000R PARTS ILLUSTRATIONS AND PARTS LISTS



CONTROL BOX

ITEM NUMBER	PART NUMBER	DESCRIPTION	ITEM NUMBER	PART NUMBER	DESCRIPTION
1	18-1901-48	Start Capacitor	15	11-0425-01	Pressure Control Hi
2	18-4300-50	Start Capacitor Cap	16	11-0443-01	Pressure Control Low
3	03-1419-05	Screw	17	12-2048-02	Contractor
4	<i>No Number</i>	Bracket	18	11-0427-02	Bin Thermostat
5	11-0428-01	Cube Size Control	19	12-0426-01	Switch
6	03-1403-17	Screw	20	12-2311-01	Snap Bushing
7	12-2255-01	Switch	21	A09388-000	Capacitor Strap
8	<i>No Number</i>	Stand Off	22	03-1638-03	Screw
9	12-1912-01	Circuit Board	23	18-1902-55	Run Capacitor
10	03-1403-04	Screw	24	<i>No Number</i>	Cover
11	12-1879-03	Relay	25	12-1213-17	Snap Bushing
12	12-1980-02	Timer	26	A31799-001	Cover (Not Shown)
13	18-1903-46	Potential Relay	27	<i>No Number</i>	Control Box
14	03-1531-01	Screw			

CM1000R PARTS ILLUSTRATIONS AND PARTS LISTS

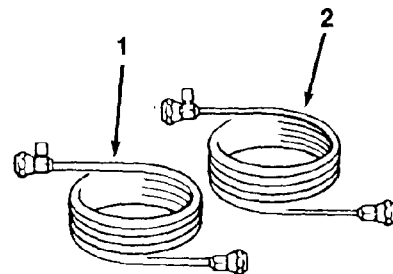


KCMR230

PART NUMBER	DESCRIPTION
12-2070-04	Relay

REMOTE CONDENSER RC651-32B RC652-32B

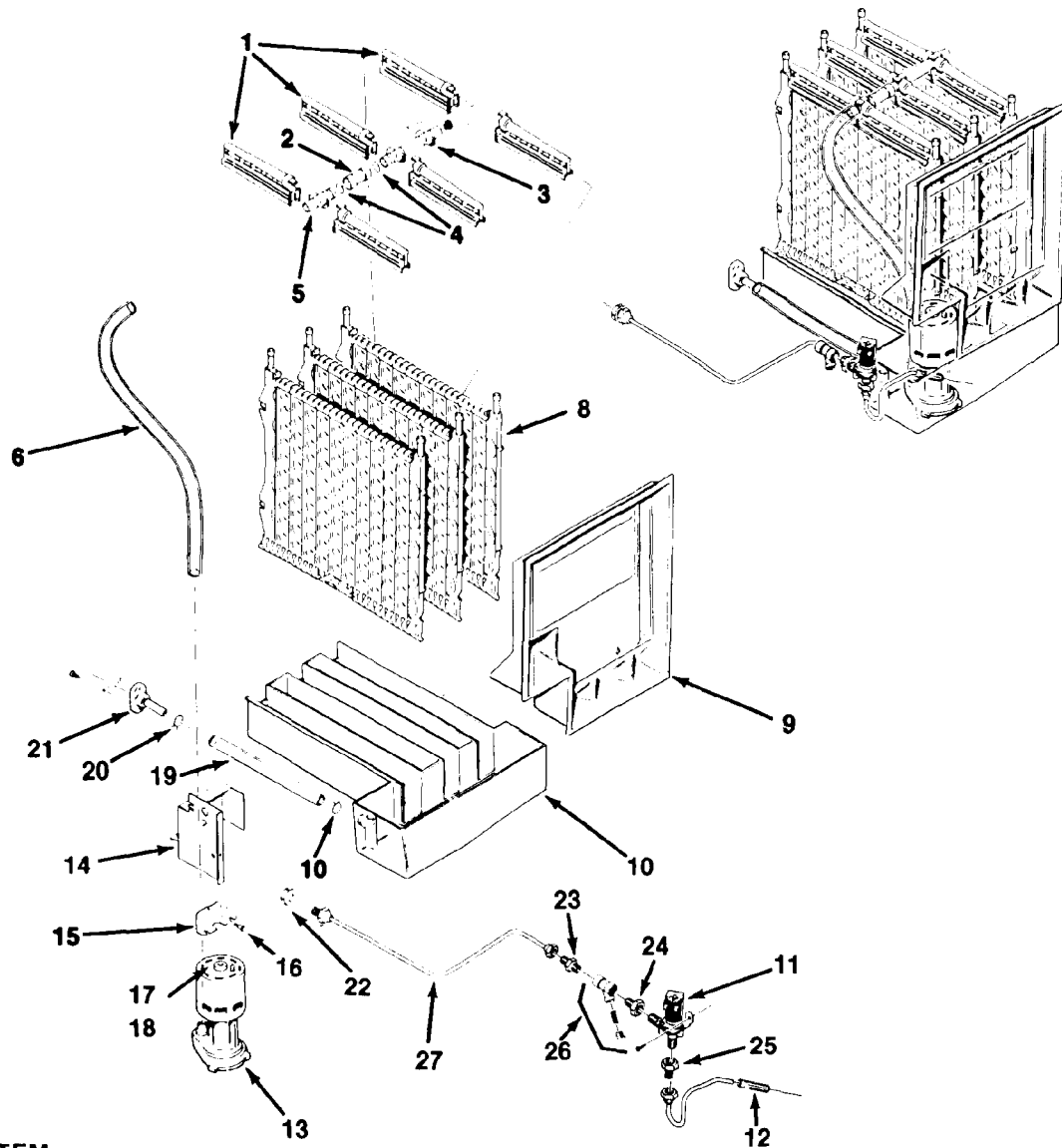
ITEM NUMBER	PART NUMBER	DESCRIPTION
1	02-2618-01	Guard, Fan
2	18-3733-01	Blade, Fan
3	18-5301-01	Motor, Fan



PRE-CHARGED TUBING KIT

ITEM NUMBER	PART NUMBER	DESCRIPTION
1	RT625	25" Long
2	RT640	40" Long

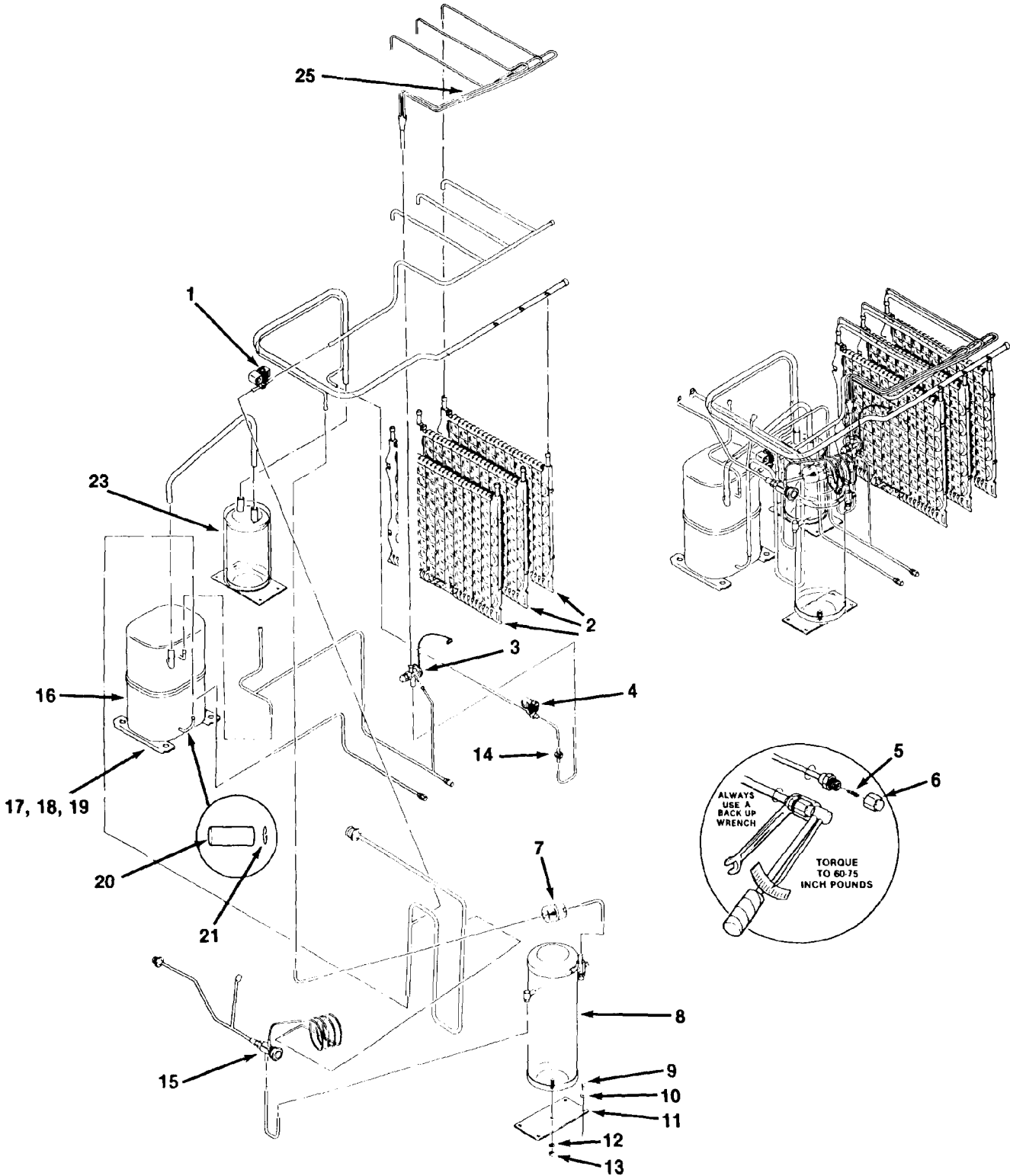
CM1000R PARTS ILLUSTRATIONS AND PARTS LISTS




WATER SYSTEM

ITEM NUMBER	PART NUMBER	DESCRIPTION	ITEM NUMBER	PART NUMBER	DESCRIPTION
1	02-2527-01	Water Distributor Tube	14	A32462-001	Housing - Pump
2	02-2521-01	Manifold - Water	15	A32551-001	Bracket - Pump
3	13-0617-48	Manifold - Water - O-ring	16	03-0727-00	Screw - Thumb
4	A29703-001	Manifold - Water	17	03-1406-07	Nut - Top Pump
5	02-2829-01	Water Restrictor	18	03-1407-03	Washer - Top Pump
6	13-0674-07	Hose 30"	19	13-0674-07	Drain Hose 16.5"
7	02-1358-01	Hose Clamp	20	02-1358-01	Hose Clamp
8	A30296-020	Evaporator Plate	21	A31757-002	Drain
9	02-2890-01	Evaporator Cover	22	03-1394-01	Pat Nut
10	02-2889-01	Sump	23	16-0791-01	Coupling - Half Union
11	12-1646-04	Water Solenoid	24	16-0794-01	Adaptor
12	15-0674-01	Hose 3"	25	16-0631-02	Connector - Female
13	12-2319-22	Pump - Water	26	16-0162-00	Strainer (Not Illustrated)
			27	No Number	Water Line

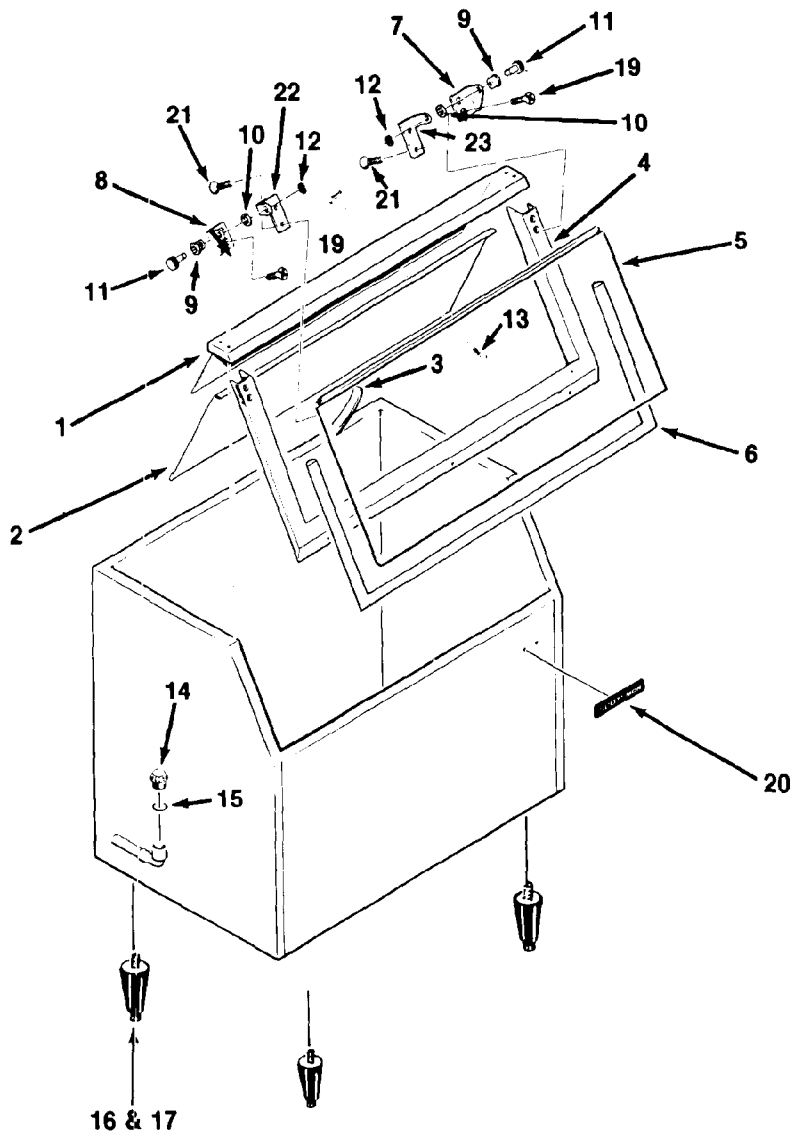
CM1000R PARTS ILLUSTRATIONS AND PARTS LISTS



CM1000R PARTS ILLUSTRATIONS AND PARTS LISTS

ITEM NUMBER	PART NUMBER	DESCRIPTION
1	12-2320-02	Hot Gas Valve
2	A30296-020	Evaporator Plates
3	16-0758-04	Thermostatic Expansion Valve
4	 274-01	Liquid Line Solenoid
5	16-0560-00	Valve Core
6	16-0563-00	Valve Core Cap
7	02-2426-02	Drier
8	16-0761-01	Receiver
9	03-0571-01	Screw
10	03-1407-05	Washer
11	<i>No Number</i>	Bracket
12	03-1410-06	Lockwasher
13	Nut	03-1406-13
14	16-0762-01	Sight Glass
15	11-0422-02	Low Ambient Control (Head Pressure)
16	18-6400-02	Compressor
17	18-2300-26	Compressor Sleeve
18	18-2300-27	Compressor Grommet
19	03-1405-20	Compressor Screw
20	12-2308-01	Crankcase Heater
21	12-2309-01	Crankcase Heater Clip
23	16-0793-01	Accumulator
24	02-2893-01	Accumulator (Not Shown) Insulation Half
25	A32472-001	Evaporator Inlet Assembly

CM1000R PARTS ILLUSTRATIONS AND PARTS LISTS



BH800

ITEM NUMBER	PART NUMBER	DESCRIPTION	ITEM NUMBER	PART NUMBER	DESCRIPTION
1	A32408-001	Canopy	12	03-1539-09	E-Clip
2	A32410-001	Baffle	13	03-0727-06	Thumb Screw Baffle
3	19-0503-04	Gasket - order per ft.	14	02-2809-01	Drain Top
4	A32418-020	Door Frame	15	13-0617-11	O-Ring
5	A32419-020	Door	16	KLP2E	Legs - Enamel
6	13-0595-00	Door Gasket - order per ft. (10')	17	KLP2S	Legs - S.S.
7	A32396-002	Hinge Rt.	18	03-1404-06	Screw (Not Shown)
8	A32396-001	Hinge Lt.	19	03-1360-02	Screw
9	02-2380-01	Hinge Bushing	20	15-0711-01	Emblem
10	02-2380-02	Hinge Spacer	21	03-1418-41	Screw
11	02-2806-01	Shoulder Screw	22	A32456-001	Door Hinge Lt.
			23	A32456-002	Door Hinge Rt.

